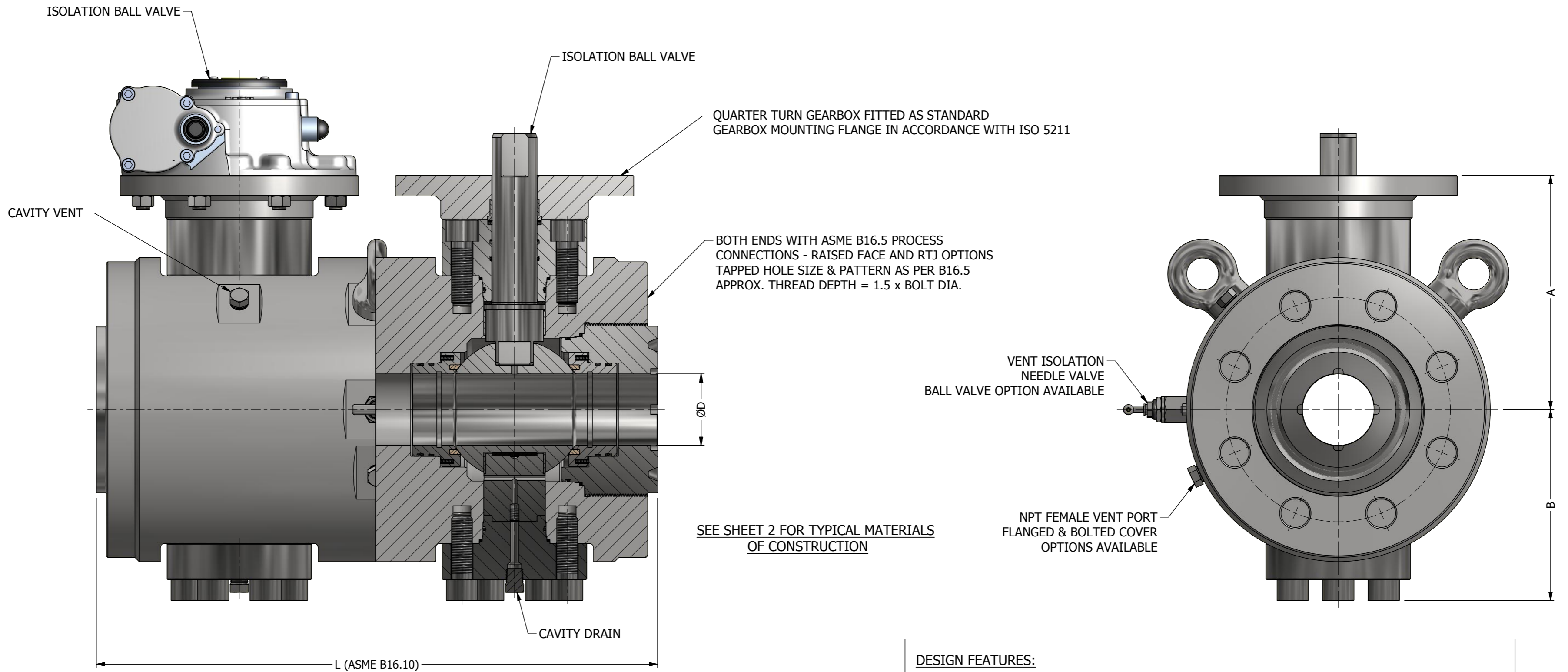


IF IN DOUBT ASK

This Drawing is CONFIDENTIAL and is subject to Copyright. It cannot be reproduced or copied in any form without the Company's written authority.

This Drawing is subject to change without prior notification

REV No.	DETAILS	REV BY
1	ISSUED	GNW



SEE SHEET 2 FOR TYPICAL MATERIALS OF CONSTRUCTION

TABLE 1. COMPACT DBB TRUNNION BALL VALVE - FULL BORE DIMENSIONS (mm)

SIZE (NPS)	CLASS	ØD	L (RF)	L (RTJ)	A	B	PEEK SEAT	METAL SEAT
2"	900	49	368	371	171	142	YES	YES
	1500	49	368	371	171	142	YES	YES
	2500	42	451	454	205	165	YES	YES
3"	900	74	381	384	183	157	YES	YES
	1500	74	470	473	207	174	YES	YES
	2500	62	578	584	246	199	YES	YES
4"	600	100	432	435	201	173	YES	NO
	900	100	457	460	225	192	YES	NO
	1500	100	546	549	243	202	YES	YES
6"	2500	87	673	683	285	232	YES	YES
	600 (1)	150	602	605	254	223	YES	YES
	900	150	610	613	309	262	YES	YES
	1500	150	705	711	309	262	YES	YES
	2500	131	914	927	385	319	YES	YES

NOTES:
 (1) FACE TO FACE EXCEEDS THE ASME B16.10 STATED LENGTH OF 559mm (RF) & 562mm (RTJ)

DESIGN FEATURES:

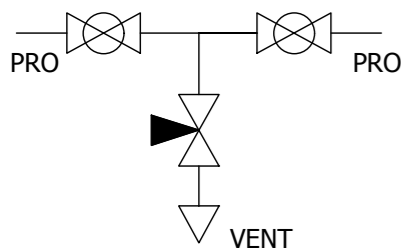
- COMPACT DOUBLE BLOCK & BLEED TRUNNION BALL VALVE - ASME B16.10 FACE TO FACE
- DESIGN IN ACCORDANCE WITH API 6D/ISO 14313 & ASME B16.34
- FACE TO FACE DIMENSION - ASME B16.10 UNLESS STATED OTHERWISE
- PROCESS CONNECTIONS - ASME B16.5 RASIDED FACE & RTJ PROFILE
- BORE DIAMETER: API6D/ISO 14313
- WALL THICKNESS: ASME B16.34
- SINGLE PISTON EFFECT, BI-DIRECTIONAL, ZERO LEAKAGE SOFT SEATS (PEEK AS STANDARD). MAJORITY OF SIZES/CLASS RATINGS CAN BE SUPPLIED WITH HARD FACED COATED BALL & METAL SEATS
- HIGH STRENGTH DRIVE TRAIN COMPONENTS MANUFACTURED FROM DUPLEX STAINLESS STEEL ASTM A479 UNS S31803 AS A MINIMUM
- MAINTENANCE FREE, SELF LUBRICATING STEM BEARINGS IN 316 STAINLESS STEEL OR NICKEL ALLOY 625
- MULTI-SEAL BODY DESIGN WITH PRIMARY O-RING AND FIRE SAFE GRAPHITE SEAL
- MULTI-SEAL, BLOWOUT PROOF STEM DESIGN WITH DOUBLE O-RING AND FIRE SAFE GRAPHITE SEAL
- COMPRESSION SPRING LOADED SEATS PROVIDING UNIFORM LOADING AND LOW PRESSURE SEALING
- ANTI-STATIC PROVISION ENSURING ELECTRICAL CONTINUITY THROUGHOUT THE VALVE
- AVAILABLE IN VARIOUS SHELL MATERIALS/BOLTING GRADES TO SUIT SERVICE CONDITIONS. MATERIALS CAN BE SUPPLIED IN ACCORDANCE WITH NACE MR 01-75 AND PROJECT SPECIFIC QA/NDE SPECIFICATIONS

Dimensions are shown in: Metric (mm)

MAX TEMPERATURE: 200°C

MIN TEMPERATURE: -49°C

FLOW DIAGRAM:



Colson X-Cel Ltd, R-evolution @ the AMP, Unit 3 Brindley Way, Rotherham, S60 5FS, England. Tel: +44 (0) 114 2432898 Website: www.colson.co.uk Email: sales@colson.co.uk



Drawing Description.

COMPACT DBB TRUNNION BALL VALVE BALL, NEEDLE, BALL CONFIG ASME B16.10 FACE TO FACE

DATE:

25/10/2021

Drawing Number.

PCTM-TABULATED GA SHEET 1 OF 2

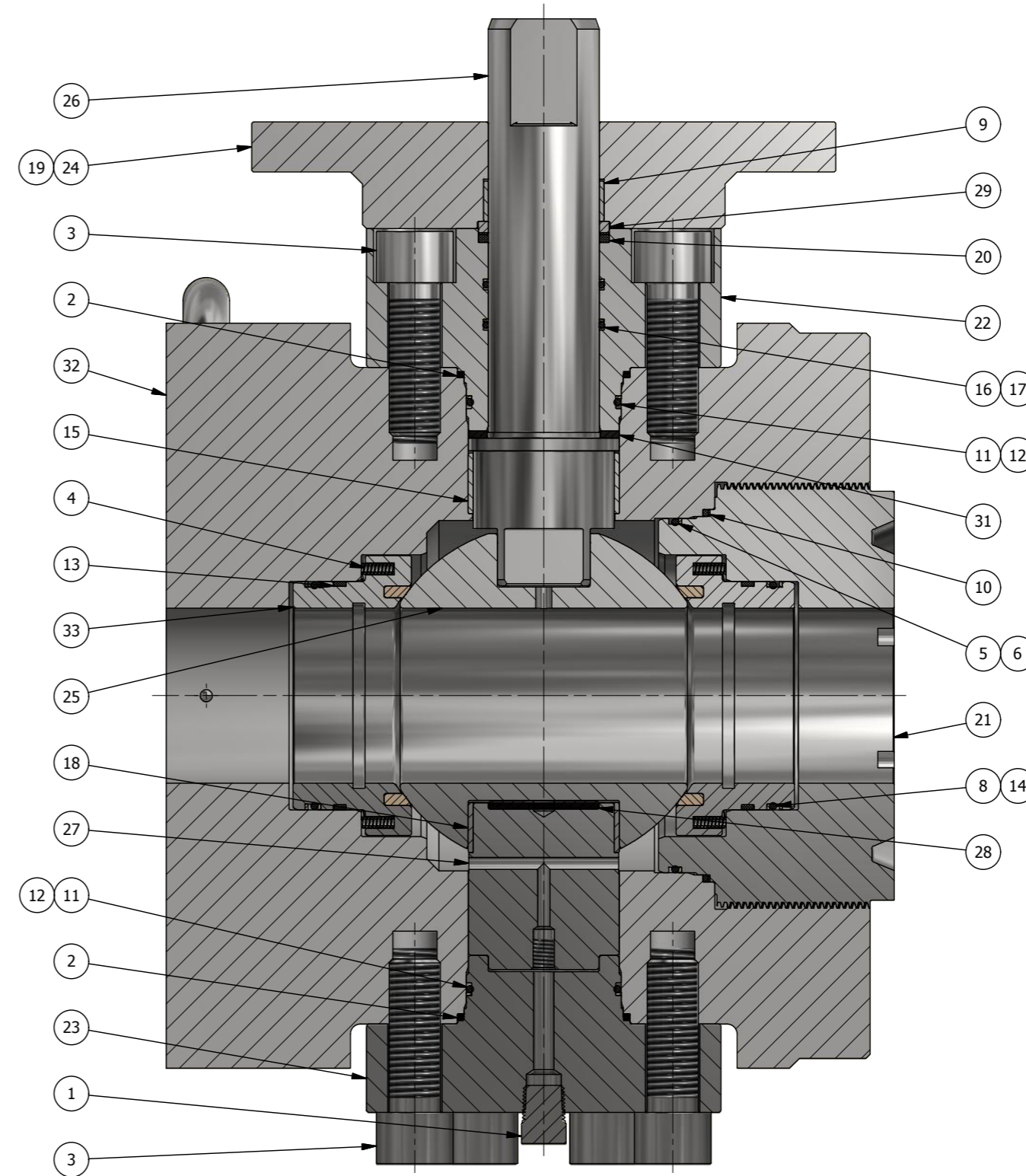
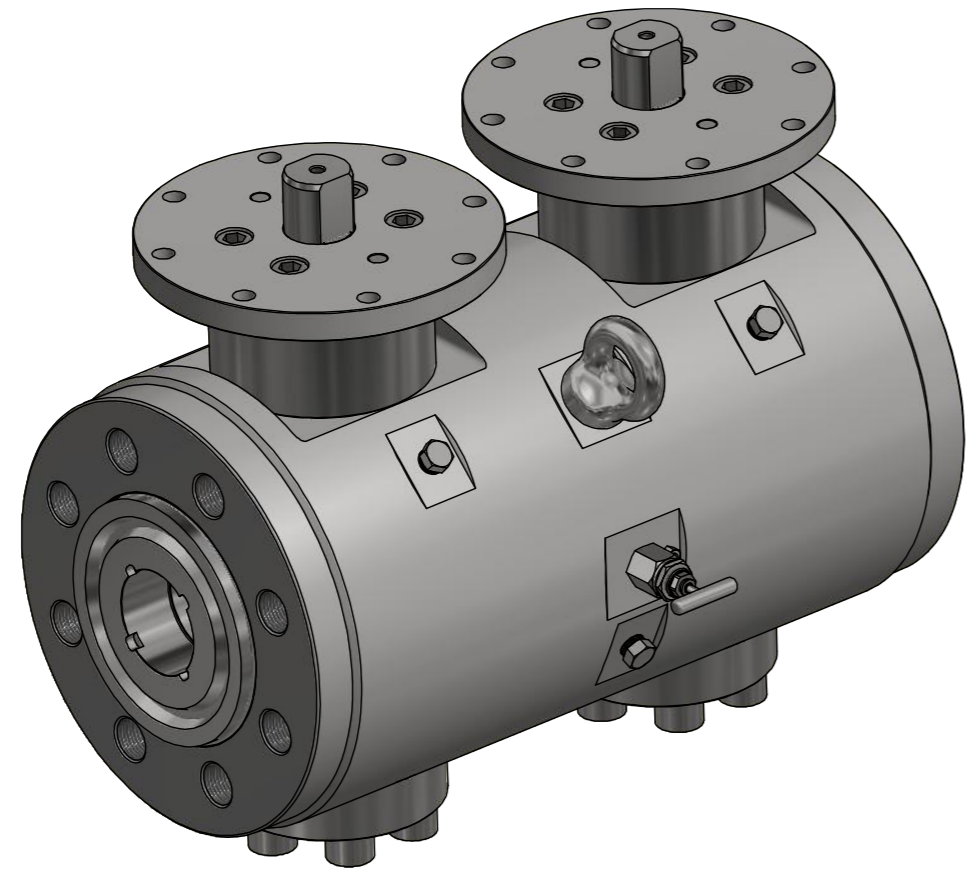
BY	CHK	APV
GNW	RAC	DBP

IF IN DOUBT ASK

This Drawing is CONFIDENTIAL and is subject to Copyright. It cannot be reproduced or copied in any form without the Company's written authority.

This Drawing is subject to change without prior notification

REV No.	DETAILS	REV BY
1	ISSUED	GNW



TYPICAL SECTION

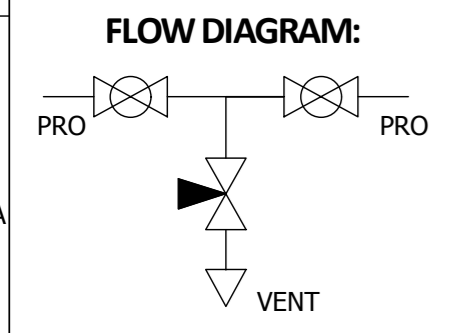
PARTS LIST	
ITE	DESCRIPTION
1	BLANKING PLUG
2	BODY SEAL
3	SOCKET HEAD CAP SCREW
4	SEAT SPRING
5	O-RING
6	O-RING BACK UP RING
7	LOCATION DOWEL
8	O-RING
9	SELF LUBRICATING BEARING
10	BODY SEAL
11	O-RING
12	O-RING BACK UP RING
13	SEAT SEAL
14	O-RING BACK UP RING
15	SELF LUBRICATING BEARING
16	O-RING
17	O-RING BACK UP RING
18	SELF LUBRICATING BEARING
19	SOCKET HEAD CAP SCREW
20	BODY SEAL
21	INSERT
22	BONNET
23	CAP
24	GLAND PLATE
25	BALL
26	STEM
27	TRUNNION PIN
28	THRUST WASHER-TRUNNION
29	GLAND RING
30	LOCATION DOWEL
31	THRUST WASHER
32	BODY
33	SEAT ASSEMBLY

TYPICAL MATERIALS (NOT LIMITED TO)	
BODY/SHELL	ASTM A182 F316, F51, F55, A105, A350 LF2. WELD OVERLAY AVAILABLE - ALLOY 625, STELLITE ETC
BALL & SEAT CARRIER	ASTM A479 UNS S31803, UNS S32760 HARD FACING AVAILABLE - TCC (HVOF), ENP ETC
STEM/TRUNNION PIN	ASTM A479 UNS S31803, UNS S32760
BODY SEALS	GRAPHITE, PTFE, RTFE
SOFT SEAT INSERT	PEEK 450G
O-RINGS	FKM ENDURA V91A (TO NACE TM0297 (ED) & TM0187 (SOUR GAS), TOTAL GS PVV 142 03/01, & NORSOK M-710) FFKM'S AVAILABLE - KALREZ®, PERLAST® ETC
VENT ISOLATION VALVE	MATERIALS SHALL BE COMPATIBLE WITH DBB SHELL & TRIM SPECIFICATION

Dimensions are shown in: Metric (mm)

MAX TEMPERATURE: 200°C

MIN TEMPERATURE: -49°C



Colson X-Cel Ltd, R-evolution @ the AMP, Unit 3 Brindley Way, Rotherham, S60 5FS, England. Tel: +44 (0) 114 2432898 Website : www.colson.co.uk Email: sales@colson.co.uk



Drawing Description.
 COMPACT DBB TRUNNION BALL VALVE
 BALL, NEEDLE, BALL CONFIG
 ASME B16.10 FACE TO FACE

DATE:		
25/10/2021		
Drawing Number.		
PCTM-TABULATED GA SHEET 2 OF 2		
BY	CHK	APV
GNW	RAC	DBP